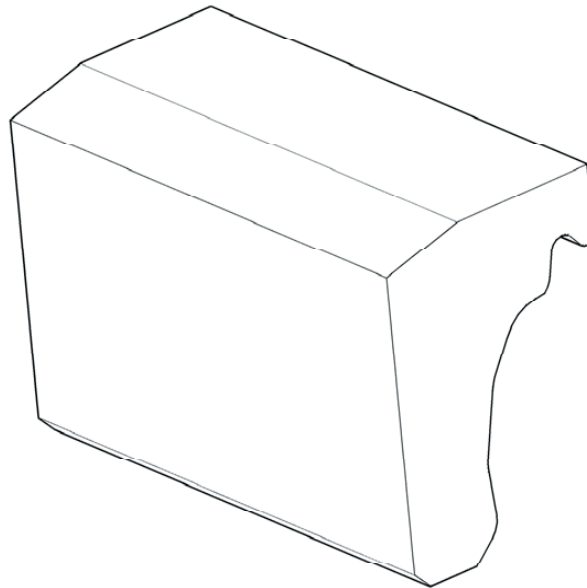
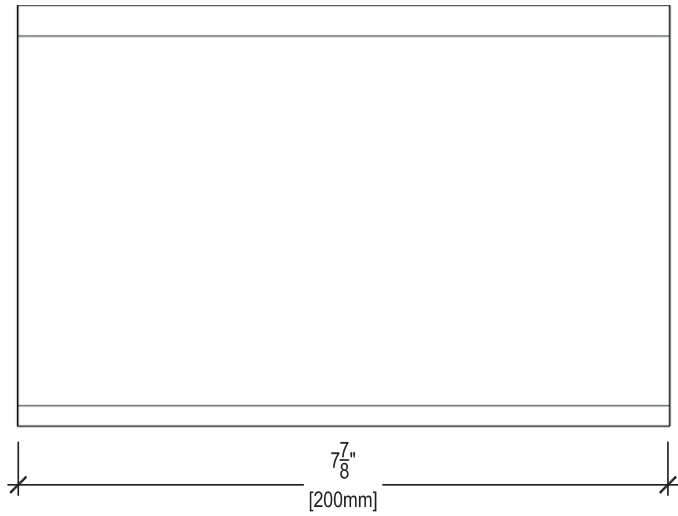
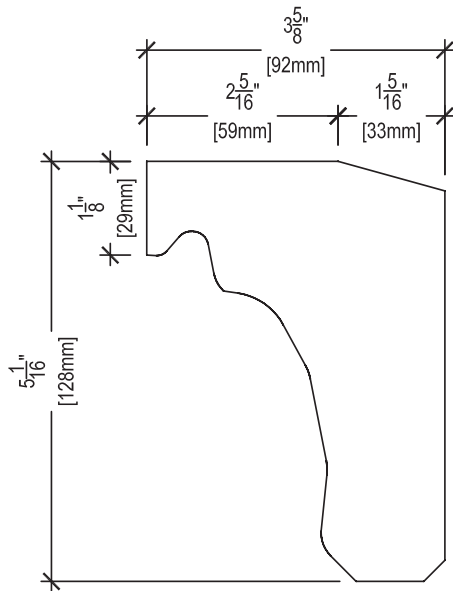


6.1- UNIT SPECIFICATIONS
7B- WAINSCOT CAP - SMOOTH FACE



SPECIFICATIONS

FACE LENGTH: 7 7/8" (200MM)

FACE HEIGHT: 5 1/16" (128MM)

WEIGHT: 6.7 LBS / BRICK OR 10.0 LBS / LN.FT.
 3.0 KG / BRICK OR 15.0 KG / LN.M

COVERAGE: 1.5 BRICKS / LN. FT. (5 BRICKS / LN.M)

MATERIAL: CONCRETE

COMPRESSIVE STRENGTH: 3600 PSI (25 MPa)

MAXIMUM WATER ABSORPTION: 4 TO 5%