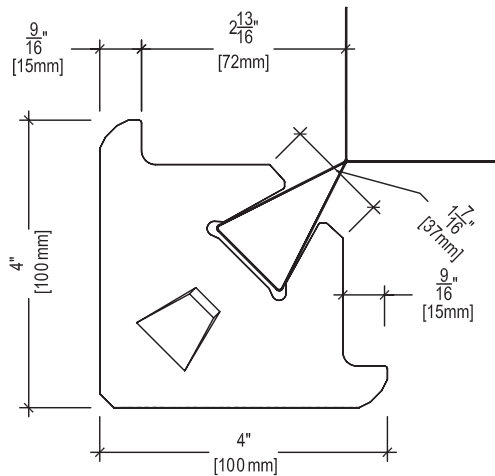
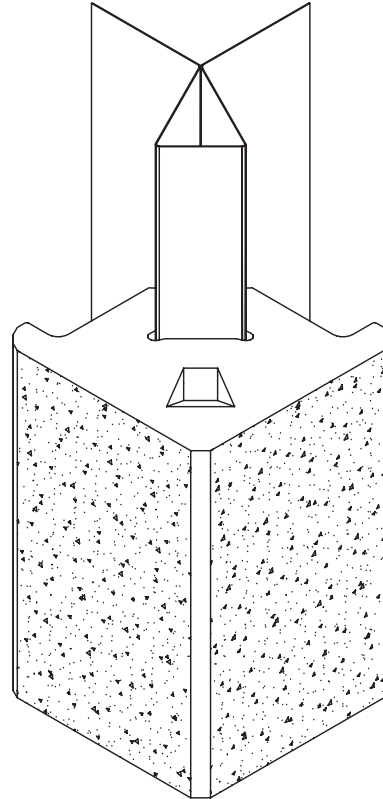
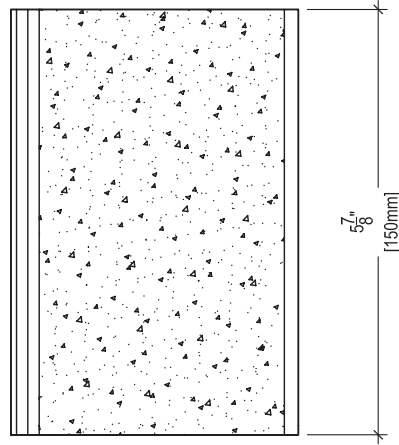


6.1- UNIT SPECIFICATIONS

2A- 90° EXTERIOR CORNER BLOCK - SPLIT FACE



SPECIFICATIONS

FACE LENGTH: 4" (100MM)

FACE HEIGHT: 5 7/8" (150MM)

WEIGHT: 4.4 LBS / BRICK OR 8.8 LBS / LN.FT.
 2.0 KG / BRICK OR 13.2 KG / LN.M

COVERAGE: 2 BRICKS / LN. FT. (6.6 BRICKS / LN.M)

MATERIAL: CONCRETE

COMPRESSIVE STRENGTH: 3600 PSI (25 MPA)

MAXIMUM WATER ABSORPTION: 4 TO 5%