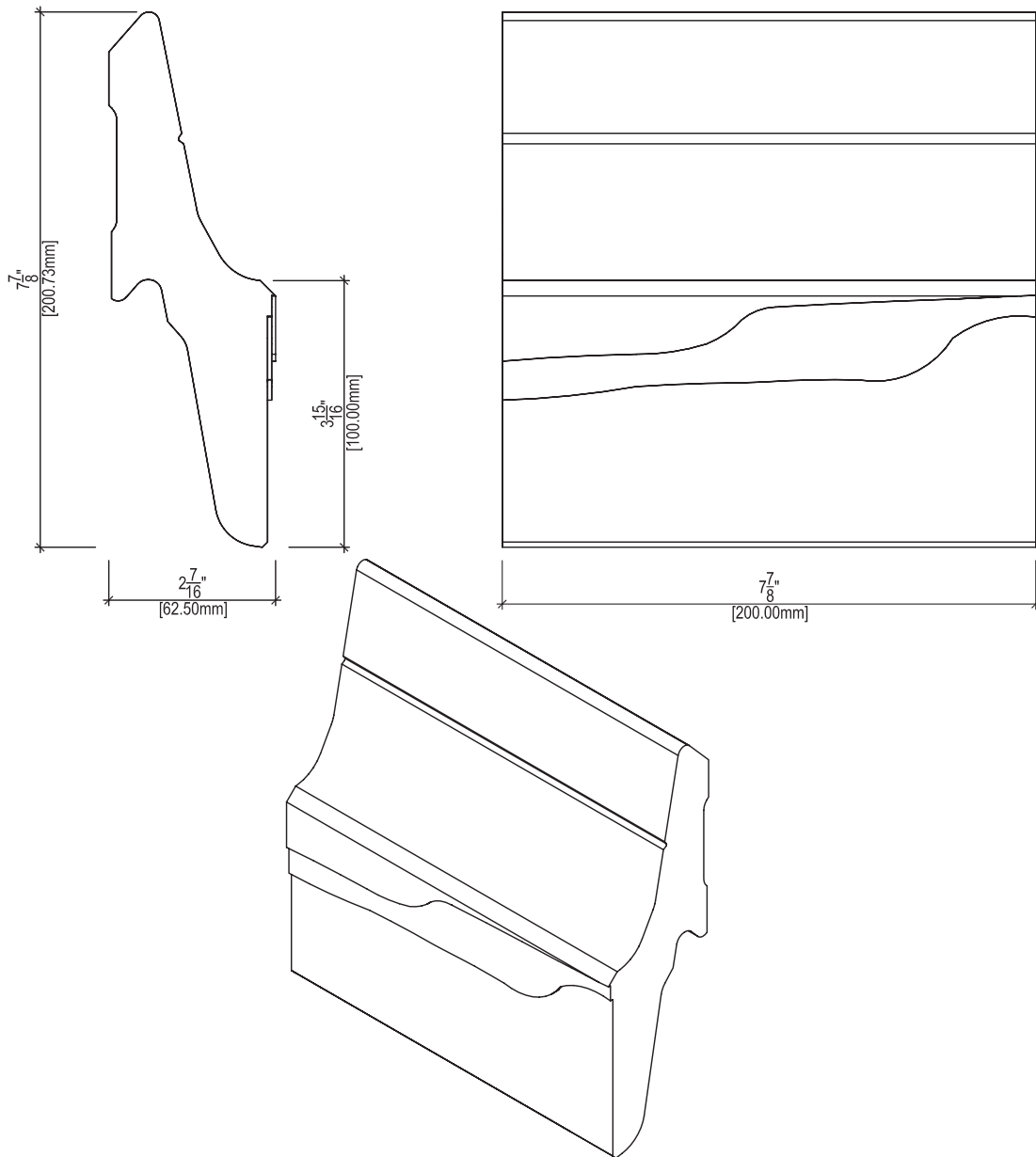


## 6.1- UNIT SPECIFICATIONS

### 1B- NOVABRIK 4" - SMOOTH FACE



---

#### SPECIFICATIONS

---

LENGTH:  $7\frac{7}{8}$ " (200MM)

HEIGHT:  $7\frac{15}{16}$ " (201MM)

FACE HEIGHT:  $3\frac{15}{16}$ " (100MM)

WEIGHT: 5.3 LBS / BRICK OR 25 LBS / SQ.FT.  
2.4 KG / BRICK OR 120 KG / SQ.M

COVERAGE: 4.5 BRICKS / SQ. FT. (50 BRICKS / SQ.M)

MATERIAL: CONCRETE

COMPRESSIVE STRENGTH: 3600 PSI (25 MPA)

MAXIMUM WATER ABSORPTION: 4 TO 5%