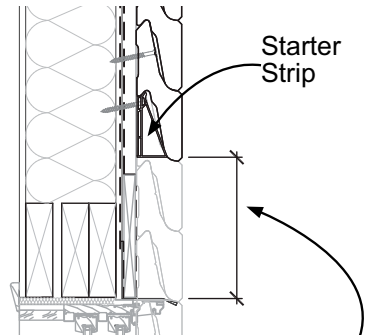
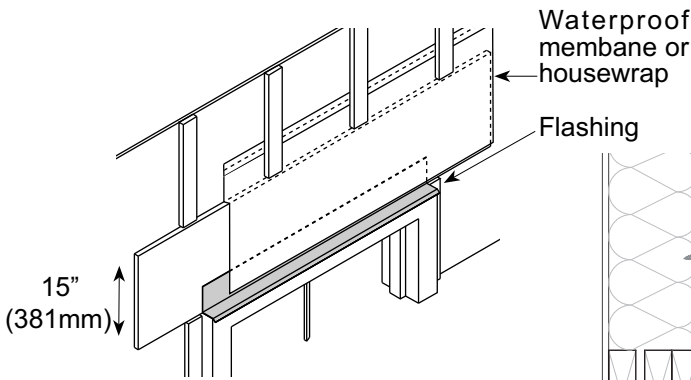
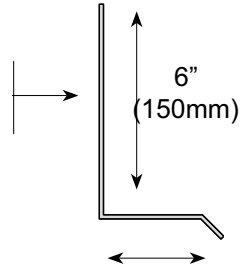


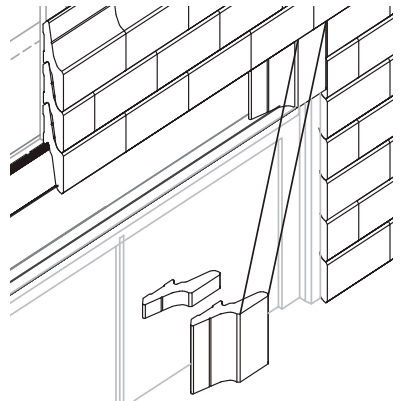
Soldier Course Installation

A soldier course above windows and doors is pleasant to see and provides a perfect fit with above coursing.

- Fasten a 15" (380mm) high 3/4" (19mm) thick plywood over the opening.
- Install aluminum or steel flashing above opening (have it bent to size).
- Cover plywood and metallic flashing with a waterproof membrane or a housewrap.

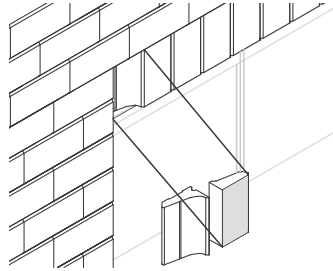
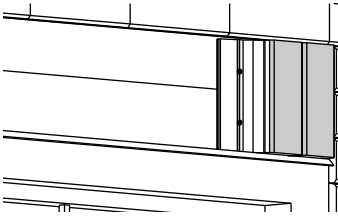


- Keep stacking Novabrik around the window or door.
- Leave a space above no higher than the length of one Novabrik.
- Attach starter strip to bridge the brick course above the soldier course opening.
- Install Novabrik with a #8 or 10 x 2 1/2" corrosion resistant screws per brick resting on the starter strip.
- At this point, you can complete the installation to the top of the wall and come back later to complete the soldier course.
- Cut to length and install soldier course in opening with two corrosion-resistant screws per brick.



Soldier Course Installation

- Install the rest of the soldiers in the same manner.
- Remove the top part of the last Novabrik soldier and glue it in place.



Note: If you need to cut a brick to fit the width of the opening, start installing soldiers at both ends and cut the brick in the middle of the opening. This will give a more symmetrical look.

Soldier Course Band

A different color soldier course looks good on high and long walls.

5. Install starter strip above soldier course and fasten each brick with one screw. Continue up the wall fastening bricks at each furring strip at every fourth course.

4. Fasten each soldier with two #8 or #10 x 2½" (64mm) corrosion resistant screws.

3. Cut brick and glue in place.

2. Fasten every brick of this course with two screws.

1. Fasten 18" (450mm) high plywood to studs and cover with flashing or house wrap.

