

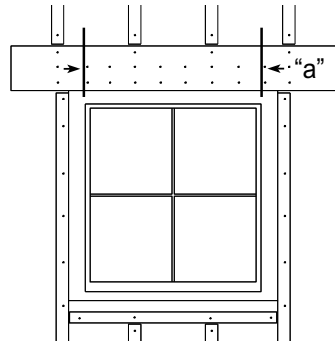
Header Reinforcement Above Openings

Example:

Width of opening ("a"):
6' (1.8m)

Rows of bricks above:
11 (3 rows per 1' (305mm))

From the header chart:
height of header: 16" (400mm)



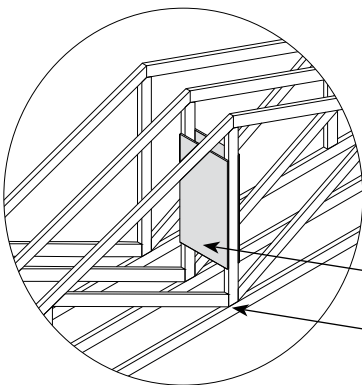
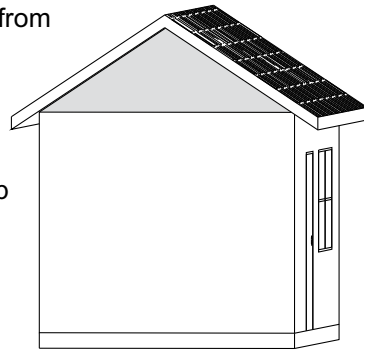
To install Novabrik over large openings or 'wide spans', extra structural review is essential. In some cases, steel may be required for extra reinforcement. In those situations use a steel plate, cut to the appropriate length, pre-drill and attach with screws. Always consult a structural engineer when designing the reinforcement.

Gable Preparation

We refer to the triangular shaped part of a wall as a "roof gable". This section of the wall extends up and into the roof line, and needs extra support before adding Novabrik.

On smaller gables, less than 12' (3.7m) wide from corner to corner, no extra support is needed.

On larger gables, if there is no plywood or OSB on the existing framing, remove the existing sheathing and replace with plywood of the same thickness. Cover with housewrap and install furring strips over the framing.



On large gables, add bracing between the first and second truss in the attic space to prevent wall from racking.