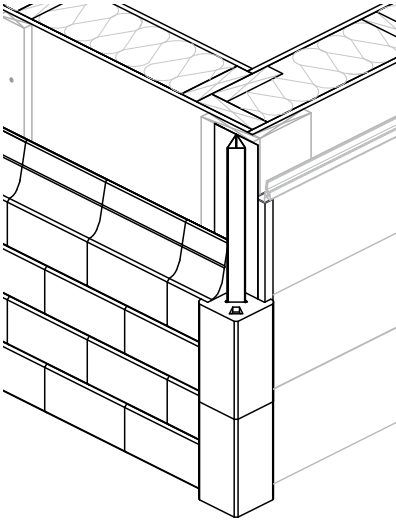


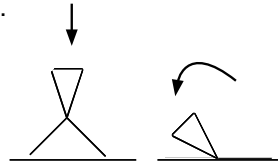
Combining Novabrik with an Existing Siding

There are two ways we recommend when adjoining an existing siding with your new Novabrik veneer and with the Fast Track corner blocks.

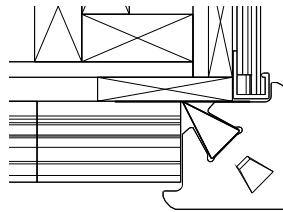
Method 1



- Bend the corner strip by pushing it against a flat surface and twisting it with your hands.

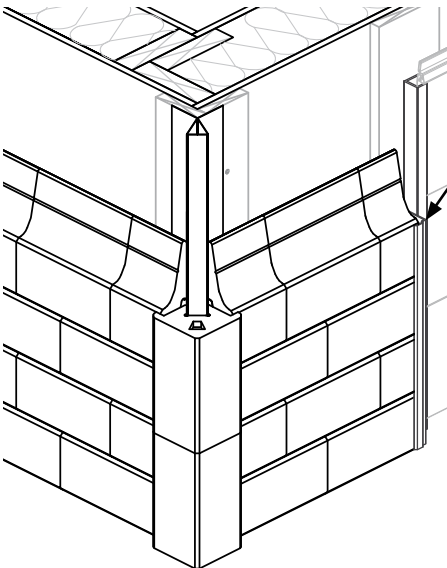


- Bring the corner block towards the middle of the facade, leaving only the depth needed for the existing siding.



1" x 6"
(19mm x 140mm)
instead of 1" x 4"
(38mm x 89mm)

Method 2



You can use window trims to conceal the edge of the brick

- Install the corner block in the usual way.
- Cut the siding and install Novabrik up to the first stud.
- Install a new J channel and apply caulking at the joint.