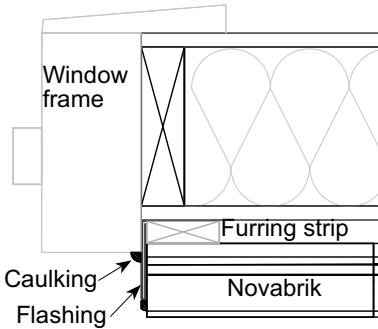


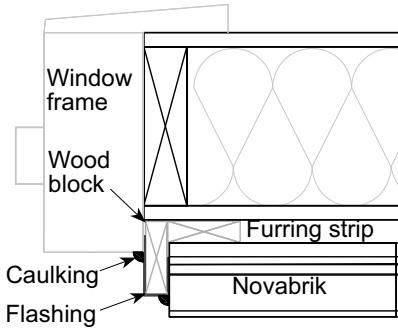
Aluminum or Steel Flashing Around Openings

Aluminum or steel flashing can also be used to extend the window frame out to give a clean, finished edge.

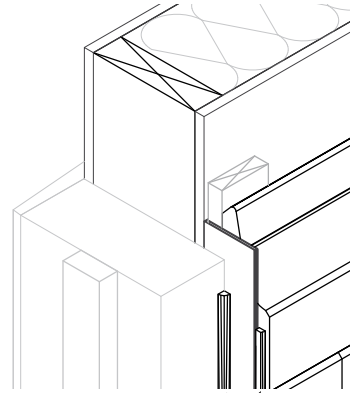
There are different ways to cap the sides of openings. Two common ways are shown below. Unless you own a metal brake, you will have to find a place to get your flashing bent. Take your measurements and make a drawing of what you need. Do not forget the flashing above openings.



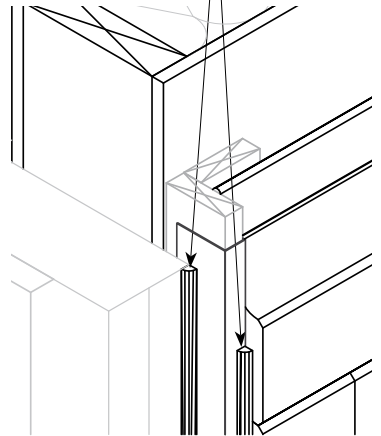
- Tack the aluminum piece in place.
- Fasten the furring strip over the metal flashing.



- Fasten wood block next to window frame.
- Fasten the furring strip next to wood block.
- Cover wood block with metal flashing.



Caulking



Remember to apply caulk along the window frame and the flashing, and the flashing and the brick.