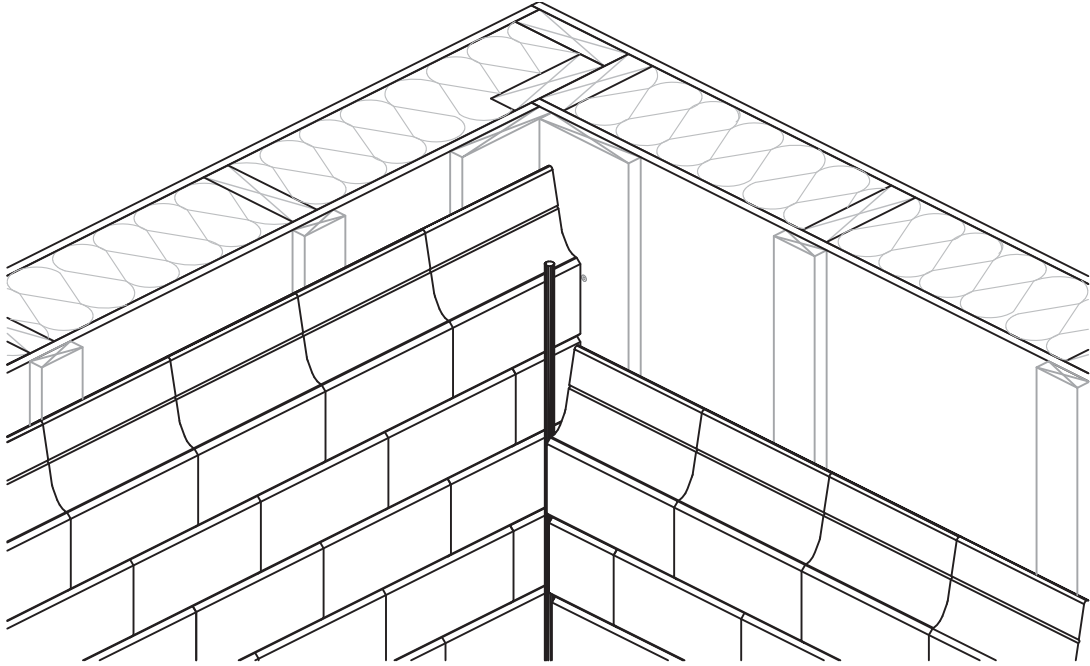
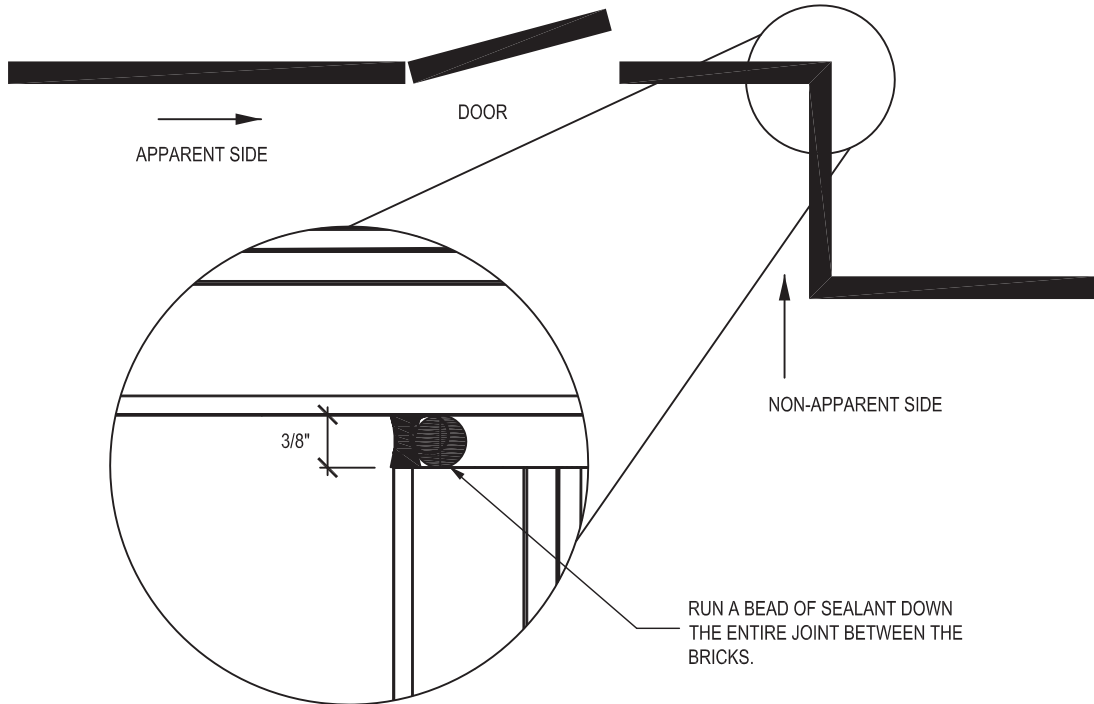


4.2- NOVABRIK INSTALLATION
5- INTERIOR CORNER WITH OVERLAPPING BRICKS



COVER THE CORNER WITH HOUSEWRAP OR WITH A SELF ADHESIVE WATERPROOF MEMBRANE. INSTALL 1"X6" (19MM X 140MM) BOARDS OVER THE CORNER. INSTALL NOVABRIK ON ONE WALL ALL THE WAY TO THE CORNER, WHILE INSTALLING THE ADJOINING WALL, LAY A CORD OF BACKER-ROD UP THE BRICK WALL. CUT AND ATTACH END PIECES TO ACHIEVE A CONSISTENT 3/8" (10MM) GAP



Printed in Canada