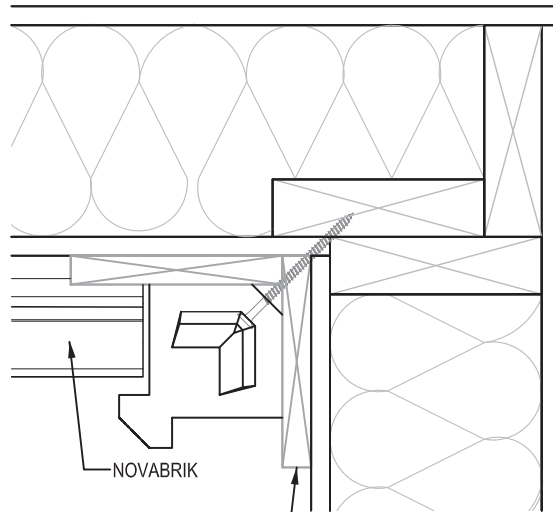
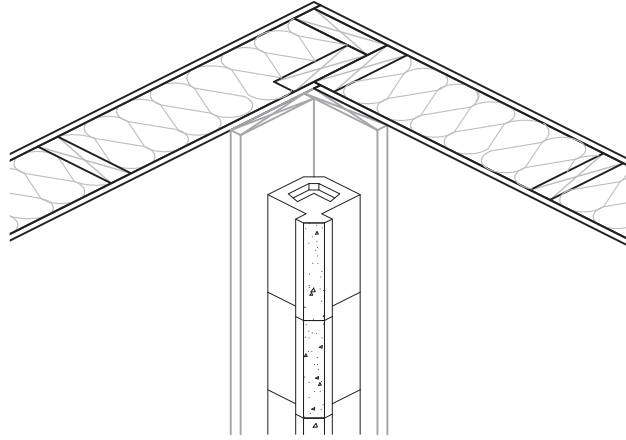


INSTALL 1"X6" (19MM X 140MM)
BOARDS OVER THE CORNER
AND ALIGN THE FIRST CORNER
BLOCK WITH THE FIRST COURSE
OF NOVABRIK.



INSTALL 1"X6" (19MM X 140MM)
BOARDS OVER THE CORNER
AND ALIGN THE FIRST CORNER
BLOCK WITH THE FIRST COURSE
OF NOVABRIK.