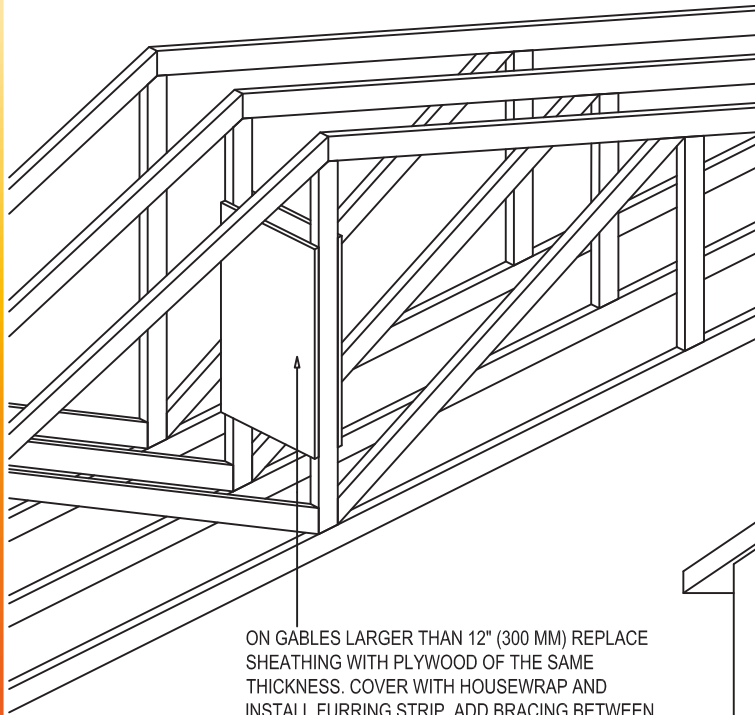
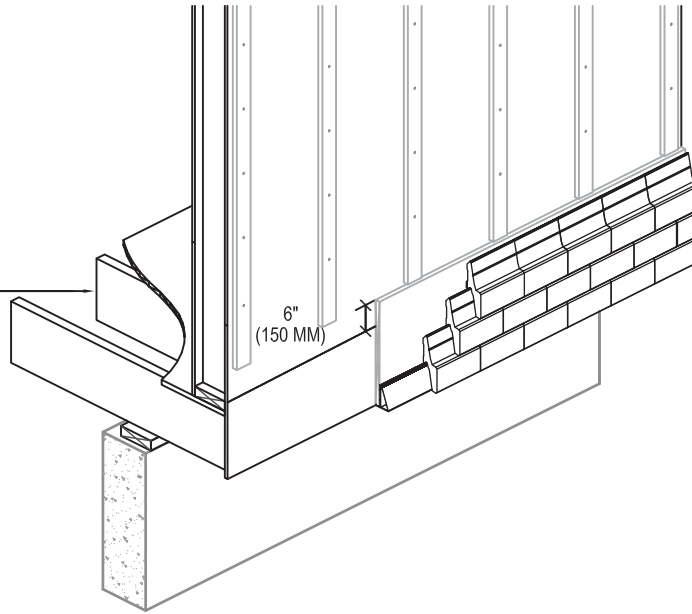


**4.1 - WALL PREPARATION**  
**4- AREAS TO CHECK**

STRUCTURAL CAPACITY OF FLOOR SYSTEM SUPPORTING CANTILEVER SECTION NEED TO BE CHECKED AND REINFORCED IF NECESSARY (CONSULT LOCAL ENGINEER). EXTEND BASEBOARD 6" (150MM) ABOVE FLOOR JOISTS TO ACHIEVE MAXIMUM PULLOUT RESISTANCE.



ON GABLES LARGER THAN 12" (300 MM) REPLACE SHEATHING WITH PLYWOOD OF THE SAME THICKNESS. COVER WITH HOUSEWRAP AND INSTALL FURRING STRIP. ADD BRACING BETWEEN THE FIRST AND SECOND TRUSS IN THE ATTIC SPACE TO PREVENT WALL FROM RACKING.

SECTIONS OF WALLS WRAPPING OVER THE TOP OF ROOF NEED TO BE CHECKED FOR STRUCTURAL CAPACITY.

