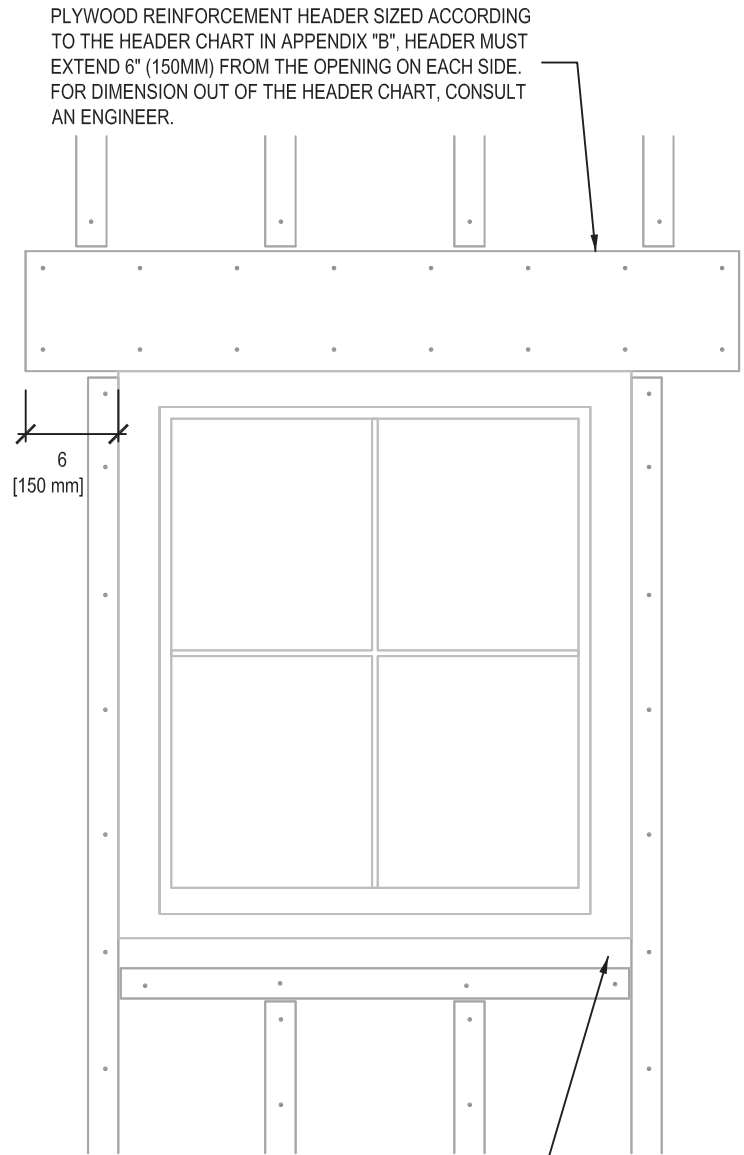
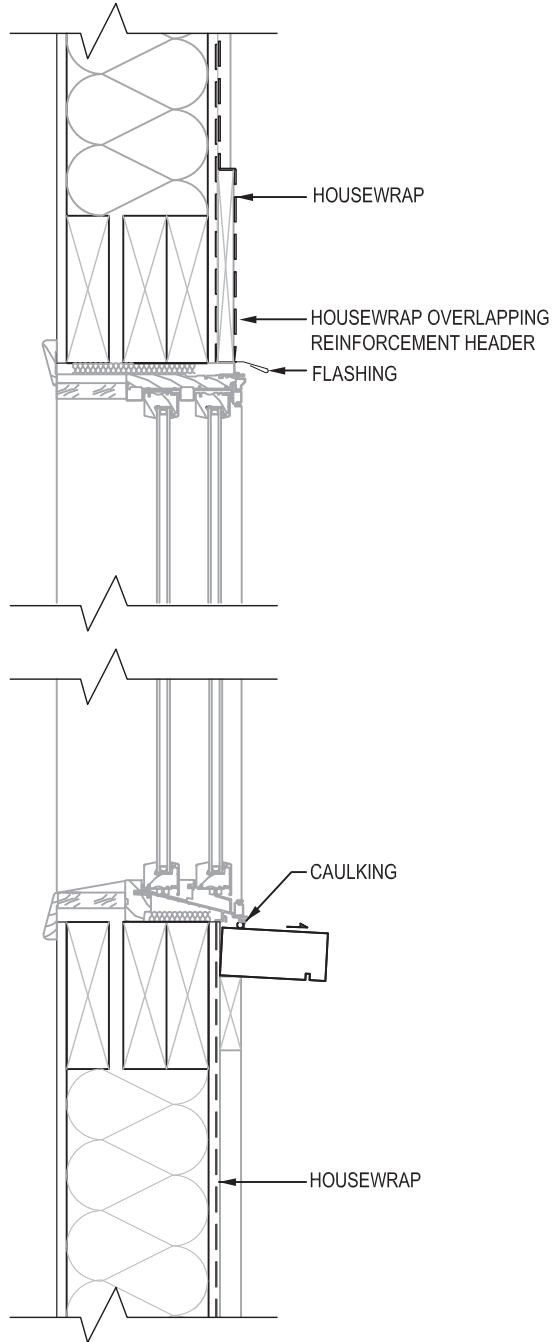


**4.1 - WALL PREPARATION
 2- WINDOWS & DOORS**



PLYWOOD REINFORCEMENT HEADER SIZED ACCORDING TO THE HEADER CHART IN APPENDIX "B", HEADER MUST EXTEND 6" (150MM) FROM THE OPENING ON EACH SIDE. FOR DIMENSION OUT OF THE HEADER CHART, CONSULT AN ENGINEER.

FOR INSTALLATION OF THE NOVABRIK WINDOW SILL, FASTEN A HORIZONTAL FURRING STRIP AT A DISTANCE EQUAL TO THE HEIGHT OF THE SILL PLUS 1/8" (3MM), DOWN THE BOTTOM OF THE OPENING. CHECK SPACING WITH ACTUAL SILL PIECE.