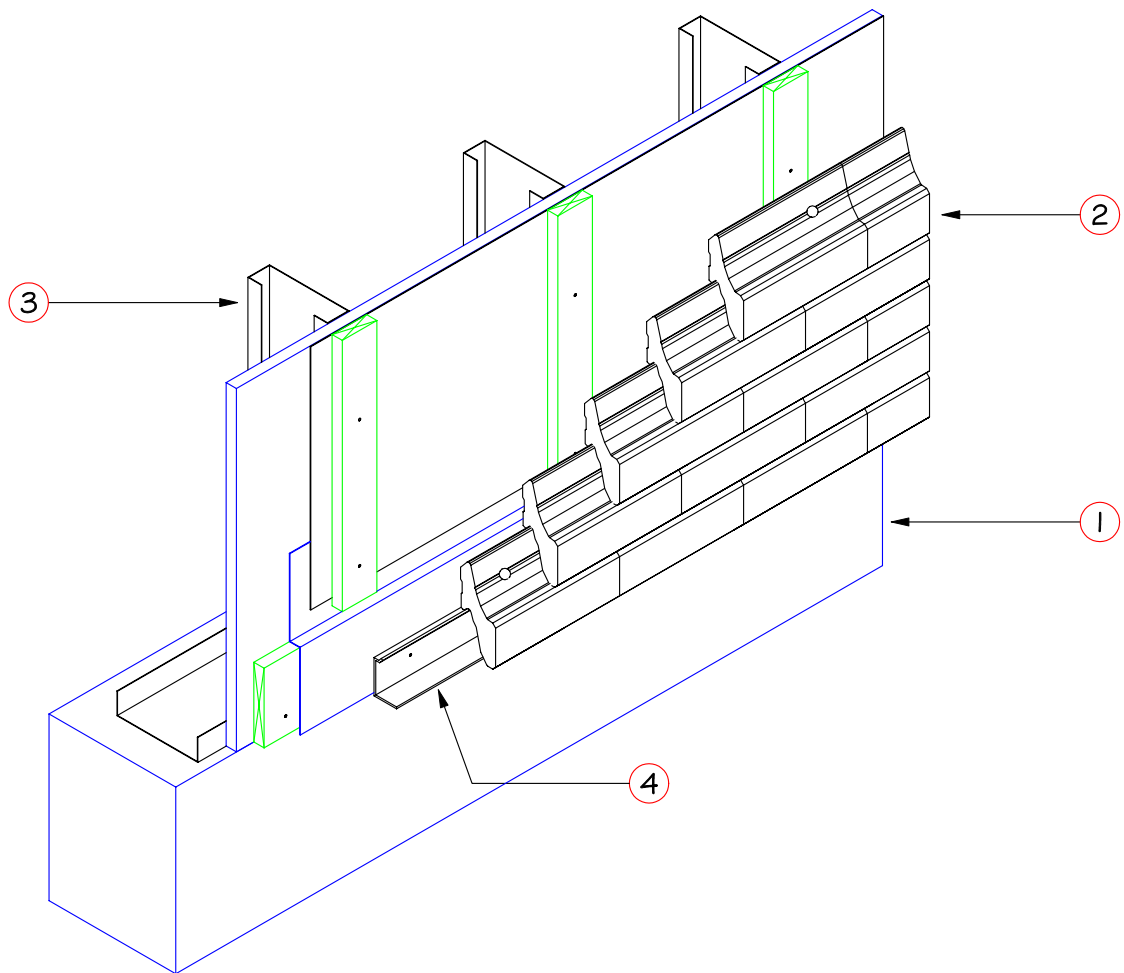


2- Steel stud wall



LEGEND

1 - Foundation

2- Novabrik fastened every fourth course at each furring

3- Steel stud wall (design by others)

4- Starter strip on 1" x 6" pressure-treated baseboard